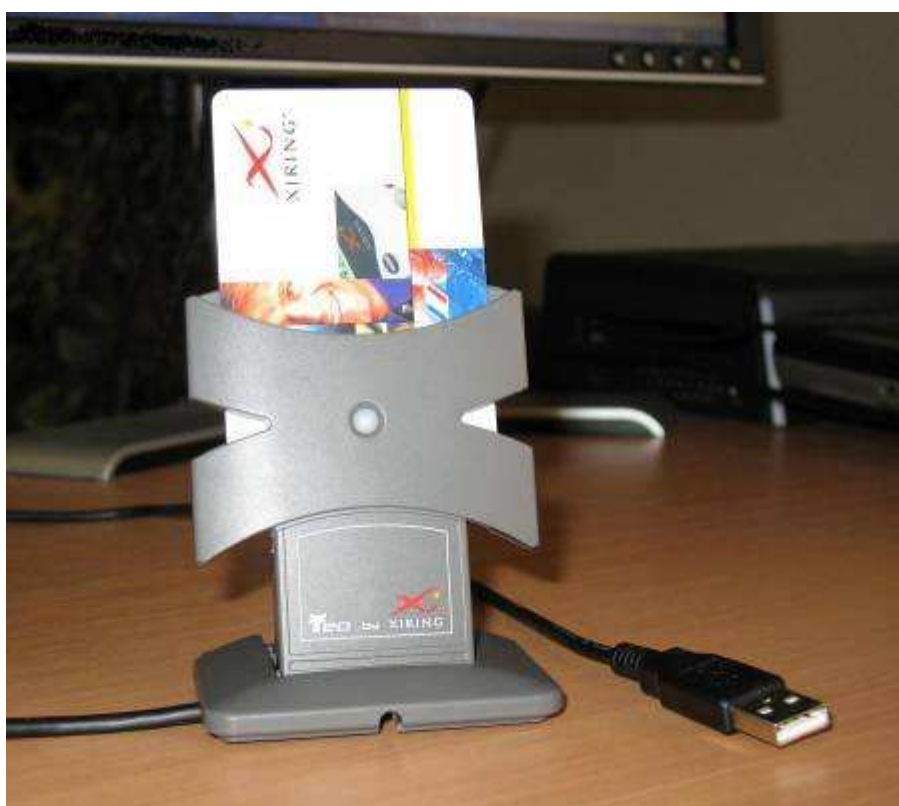


Teo by XIRING

USB PC/SC Smart card reader by XIRING



WHQL Certified

CCID Compliant

PC/SC



EMV 2000

This document aims to present the main features of Teo by XIRING smart card reader, as well in terms of design and technical specifications as in terms of marketing and personalization.



SOMMAIRE

I. Teo by XIRING : USB and PC/SC smart card reader by XIRING.....	p.4
II. Technical features and certifications.....	p.6
III. Packaging and personalization.....	p.10
IV. Appendices.....	p.12

I. TEO BY XIRING: USB and PC/SC smart card reader by XIRING

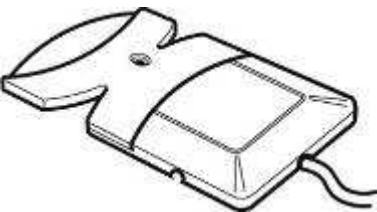
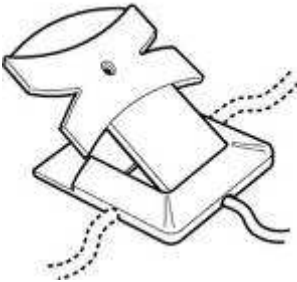
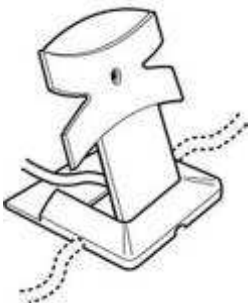



Teo by XIRING is a PC/SC & CCID compliant transparent smart card reader (class 1 reader). It is intended to be used in applications where the PC-application drives the reader to interface with the smart card (works also with Mac Os and Linux environments – see technical features).

The reader offers functional features with a strong added value in terms of marketing:

- Its unique design highlights the inserted smart card.



- A smart base enables the user to choose its preferred position: 0° flat on the desk, 15° to raise the card slot or 75° to have a vertical insertion. Depending on the preferred position, the cable can go out in front, on the two sides or on the back of the reader.

Position A – 0°	Position B – 15°	Position C – 75°
		
 <p data-bbox="263 1982 454 2011">0° (flat on the desk)</p>	 <p data-bbox="694 1982 901 2011">15° (raised card slot)</p>	 <p data-bbox="1125 1982 1348 2011">75° (vertical insertion)</p>



- A high-luminosity LED gives a status indication to the user.
- The design is environment-friendly and highly recyclable: there is no screw, plastic materials has been limited and designed to be recycled easily, and there is no need to provide a cd-rom to be used only once (plug'n'play).

Teo by XIRING reads all microprocessor cards (ISO 7816 compliant smart cards).

It is compliant as well for local applications architectures as for centralized applications. In the first case, the reader allows to read and write on a smart card from the personal computer it is connected with. In the centralized model, the application running on the computer is the interface between the requests ordered by the server and the smart card.

II. TECHNICAL FEATURES AND CERTIFICATIONS

Teo by XIRING provides best-in-class technical features: USB 2.0 Full speed, PC/SC and CCID (no need for a cd-rom in standard configuration), communication up to 420Kbps.

Host interface	<ul style="list-style-type: none"> • USB 2.0 (& USB 1.1) full speed (12Mbps)
Smart Card Interface	<ul style="list-style-type: none"> • ISO 7816 ; EMV 2000 Level 1 ; T=0, T=1 • Communication speed: Up to 420Kbps (depending on the card)
Supported smart cards	<ul style="list-style-type: none"> • ISO 7816 1-4 compliant microprocessor cards
Certifications	<ul style="list-style-type: none"> • USB 2.0 full speed (and USB 1.1) • EMV 2000 Level 1 • WHQL certified for Microsoft Windows 2000 & XP • Microsoft Windows Vista certified • CE • FCC Part 15 Class B • RoHS
Supported environments	<ul style="list-style-type: none"> • Windows 2000, XP, Vista (PC/SC & CCID compatible environments). • <i>NB: Teo by XIRING has been tested in MacOS X+ and Linux environments.</i>
Available drivers	<ul style="list-style-type: none"> • CCID Compliant (working with the CCID driver included in Win2K/XP)
Physical characteristics	<ul style="list-style-type: none"> • Size: 86x68x10 mm • Weight: Less than 65g • Cable: 1.4m
Other	<ul style="list-style-type: none"> • Working in 3 positions, thanks to the adjustable base (0°, 15°, 75°) • One high luminosity LED (red/green) • Dedicated area for your logo (via printed sticker) • Two double-side tapes to stick the product on a desk • Tech support: 2nd level support provided by eMail



Teo by XIRING – Real size / inserted card



Teo by XIRING – Real size / Card out

Teo by XIRING also provides the necessary certificates for this kind of product:



The references of main technical certifications (which documents are in appendix) are listed in the following table:

Certifications	Documents
<ul style="list-style-type: none"> • WHQL (Windows High Quality Laboratory) for Windows XP and 2000 • Microsoft Windows Vista Certified 	Appendix 1 : p.12
<ul style="list-style-type: none"> • EMV Co 	Appendix 2 : p.13
<ul style="list-style-type: none"> • CE 	Appendix 3 : p.14
	Appendix 4 : p.15

Microsoft Windows 2000, XP and Vista drivers are available on our website:
<http://www.teobyxiring.com/?p=88>.

Teo by XIRING has been tested with MacOS X environments and some Linux environments. XIRING does not provide support for these environments. However, dedicated drivers are available in open source on the following website: <http://pcsclite.alioth.debian.org/ccid.html>.

III. PACKAGING AND PERSONALIZATION

Packaging

The standard packaging has been designed with the issuer in mind:

- As slim as possible, it can be shipped by regular postal service (compliant to international postal standards) to be delivered in individuals postal boxes.
- Package dimensions allow the sender to put it directly in a standard letterbox (see following diagram).
- The first time use manual is printed directly on the box (internal face) so an issuer can add its own documentation.
- And, for sure, the box is made of recycled paperboard, so the box is environment-friendly too.

Readers are packaged by 20-unit packs.



Personalization

A marking area enables the issuer to stick its logo, thus personalizing the reader with its own branding.

Reader personalization is possible from 10 000 units ordered: it corresponds to put your company logo instead of Teo by XIRING logo.


Under 10 000 readers ordered, products are delivered with the standard Teo by XIRING logo.



IV. APPENDICES

APENDIX 1: WHQL - Microsoft Windows XP et 2000

Windows Logo Program Test Report: Page 1 sur 1




Windows Logo Program Test Report: Approved

Windows Vista

Submission ID: 1220884	Submission Date: 11/26/2006
Company: XIRING	
Product Name: USB CCID Smart Card Reader	
Category: Device	Driver Version: Not available
Subcategory: Input > Smartcard Reader	Firmware Version: Not available
Qualifications:	<ul style="list-style-type: none">- Signature Only - Microsoft Windows 2000 family- Logo - Designed for Microsoft Windows XP family, x86
Marketing Names:	<ul style="list-style-type: none">- TEO BY XIRING

APENDIX 2: Microsoft Windows Vista

Windows Logo Program Test Report: Page 1 sur 1



**Windows Logo Program Test Report:
Approved**

Submission ID: 1229311	Submission Date: 1/17/2007
Company: XIRING	
Product Name: USB CCID Smart Card Reader	
Category: Device	Driver Version: Not available
Subcategory: Input > Smartcard Reader	Firmware Version: Not available
Qualifications:	<ul style="list-style-type: none">• Logo - Microsoft Windows Vista family, x86 Basic• Logo - Microsoft Windows Vista family, x64 Basic
Marketing Names:	<ul style="list-style-type: none">• TEO BY XIRING

<https://winqual.microsoft.com/member/SubmissionManager/TestReport.aspx?SubmissionID=1229311> 18/01/2007

APENDIX 3: EMV Certification



February 13, 2007

Mr. Claude Durand
XIRING
25, Quai Gallieni
92158 SURESNES
France

Re: EMVCo Letter of Approval – Terminal Level 1

Approval Number: 12008 0207 400 20 FIM
IFM Identification: XI-SMART VPC version 1.0
Hardware: HW XI-SMART VPC AT83C23OK203 version 1.3
Software: FW OKSC.LIB version 1.0
As Tested In: TEO BY XIRING

Dear Mr. Durand:

EMVCo, LLC ("EMVCo"), a Delaware limited liability company, has received your request for Level 1 terminal type approval for the interface module identified above. In connection with your request, we have reviewed your report, identified by file number C06RAP10-09-6 which was generated by FIME European Test Center.

After assessing such file, EMVCo has found reasonable evidence that the submitted samples of the above referenced interface module sufficiently conform to EMV Specifications, Book 1, Version 4.0 of December 2000 ("EMV 4.0 Specifications").

EMVCo hereby (a) grants your interface module EMVCo Type Approval for Terminal Level 1, based on the requirements stated in the EMV 4.0 Specifications, and (b) agrees to include module in EMVCo's approved interface module list. EMVCo's grant to your interface module is subject to and specifically incorporates (i) the General Terms and Conditions to the Letter of Approval enclosed as Exhibit A, and (ii) the Specific Terms and Conditions to the Letter of Approval attached hereto as Attachment A. Because EMVCo's grant is subject to such limitations, including certain events of termination, you and any third parties should confirm that such approval is current and has not been terminated by referring to the list of approved interface modules published on the EMVCo website (www.emvco.com).

This Letter of Approval is effective on dispatch from EMVCo.

EMVCo, LLC, a Delaware limited liability company

By: _____
Name: Esther Salk
Title: EMVCo Terminal Approval Secretariat

EMVCo, LLC, c/o MasterCard Worldwide, Chaussée de Tervuren 195A, 1410 Waterloo, Belgium

ALI rev. 06/25/02AJ

(12008 0207 400 20 FIM)

EMITECH

CERTIFICAT DE CONFORMITE

CERTIFICATE OF CONFORMITY

CC - 06 - 139

Suite aux essais effectués dans ses laboratoires, EMITECH certifie que l'équipement référencé ci-dessous est conforme aux normes :

Following tests performed in its laboratories, EMITECH declares that the equipment specified below complies with the standards:

EN 55022 : 1998 / A2 : 2003
EN 55024 : 1998 / A1 : 2001 / A2 : 2003

Comme l'atteste le procès-verbal d'essais / As related in the tests report : (n° RC-06-42060-1-A)

Désignation/Brand name : Smart card reader « **TEO BY XIRING** » / Lecteur de carte à puce « **TEO BY XIRING** »

Type/Type: XI-SMART VPC

Numéro de série/Serial number : XI6PA0047

Constructeur/Manufacturer's name :

XIRING

Adresse/Manufacturer's address :

25, quai Gallieni
92158 SURESNES
FRANCE

Essayé sur demande de/ Tested on request of :

XIRING

Adresse :

25, quai Gallieni
92158 SURESNES
FRANCE

Condition de validité du Certificat / Validity requirements for this certificate:

Cette attestation n'est valable que dans la mesure où l'équipement reste conforme aux normes applicables / This attestation is only valid provided that the equipment continues to comply with the quoted specifications.

Modification(s) de l'équipement durant les essais CEM/Design modification(s) incorporated into the test:

Not required

Ce certificat résulte d'essais effectués sur un exemplaire du produit, il n'implique pas une appréciation de l'ensemble de la fabrication des produits de série.

This certificate results of the tests done on one sample, it doesn't implicate a valuation of all manufactured equipments.

Laboratory EMITECH of Montigny-Le-Bretonneux and open area test site of AUNAINVILLE, le 23 November 2006

Pour EMITECH / Signed on behalf of EMITECH

Mimoun BENABDELKADER
Ingénieur d'affaires
Sales engineer



EMITECH ILE DE FRANCE	ATLANTIQUE	ANGOULEME	GRAND SUD	RHONE-ALPES	EUROCOM
Centre de MONTIGNY Zone des Gradins - CAP 78 Z.A. de l'Observatoire 74100 MONTIGNY-LE-BREX. Tel: 01 30 37 31 35 Fax: 01 31 43 74 40 Site: 04 55 64 00 02	Centre de SAULOUY Bâtiment 147 12, route de la Maye 79400 SAULOUY-LEZ-LES Tel: 01 30 37 31 35 Fax: 01 31 43 74 39 Site: 04 55 64 00 01	Centre d'ANGERS P.L. Angers - Roussier 13, route de la Maye 49100 ANGERS-LEZ-LIEZ Tel: 02 41 35 36 17 Fax: 02 41 75 26 41 Site: 04 54 00 00 00	Centre d'ANGOULEME Parc des Trois Pères 17, route du Port Sec 16400 HILLIS-LE-BOIS-TRÉOLINE Tel: 04 65 45 04 40 Fax: 05 40 40 24 36 Site: 04 54 00 00 00	Centre de MONTPELLIER P.L. de la Vallée de Saunon 34200 La Motteville - BP 25 34700 VILLEVALENTIN Cedex Tel: 04 67 67 41 00 Fax: 05 67 70 96 31 Site: 04 54 00 00 00	Centre de GRENOBLE 1, rue des Bains 38000 GRENOBLE Tel: 04 38 37 30 00 Fax: 04 38 37 04 04 Site: 04 67 67 41 00

E-mail : commercial@emitech.fr - URL : www.emitech.fr
Groupe EMITECH - N.A. au capital de 480 000 € - R.C. VERSAILLES B 344 545 645 - APE 742 C